

**ABBATTITORI/CONGELATORI
BLAST CHILLERS AND FREEZERS**

BLAST CHILLERS/FREEZERS 10kg GN 1/1 CROSSWISE

Code	Avv	Model	Description	Ref.	Page	Brand
726659	14	RBF051	BLAST CHILLER/FREEZER 12,5/7KG GN1/1	a	2 3 4 5 6	Electrolux
110781	13	BCF7A	BLAST CHILLER/FREEZER 12,5/7KG GN1/1	b	2 3 4 5 6	Zanussi
728526	13	EBAC005	BLAST CHILLER/FREEZER 12,5/7 KG GN1/1	c	2 3 4 5 6	Alpeninox
726658	14	RBC051	BLAST CHILLER 10KG GN1/1	d	2 3 4 5 6	Electrolux
110780	12	BC10A	BLAST CHILLER 10KG GN1/1	e	2 3 4 5 6	Zanussi
728525	12	EABP0071	BLAST CHILLER 10 KG GN1/1	f	2 3 4 5 6	Alpeninox
110031		AQC22U US	BLAST CHILLER 10KG GN1/1-120/1/60-US	g	2 3 4 5 6	Zanussi
110035	06		Crosswise 10 kg GN 1/1 Chiller 220\230\1\60hz	h	2 3 4 5 6	Zanussi
110039	06		Crosswise 7 kg GN 1/1 Freezer 220\230\1\60hz	i	2 3 4 5 6	Zanussi
728306	05	FRABC1011	BLAST CHILLER 10 KG GN1/1	l	2 3 4 5 6	Franstal
728311	05	FRABCF711	BLAST CHILLER/FREEZER 12,5/7 KG GN1/1	m	2 3 4 5 6	Franstal
727130	02	RBF0516	BLAST CHILL/FREEZER 12,5/7KG GN1/1-60HZ	n	2 3 4 5 6	Electrolux



Note:

This document is available until to Ser.N° ~ 0350700..

Has been change the user board and food probes from ser.N°01700001 due to a new connectors. Please for other information look the tec.doc n°VTX.2010-03

Pag./Page	Indice	Index
2	Mobile	Cabinet
3	Lista ricambi	Spare parts list
4	Gruppo	Coling unit
5	Lista ricambi	Spare parts list
6	Lista ricambi	Spare parts list

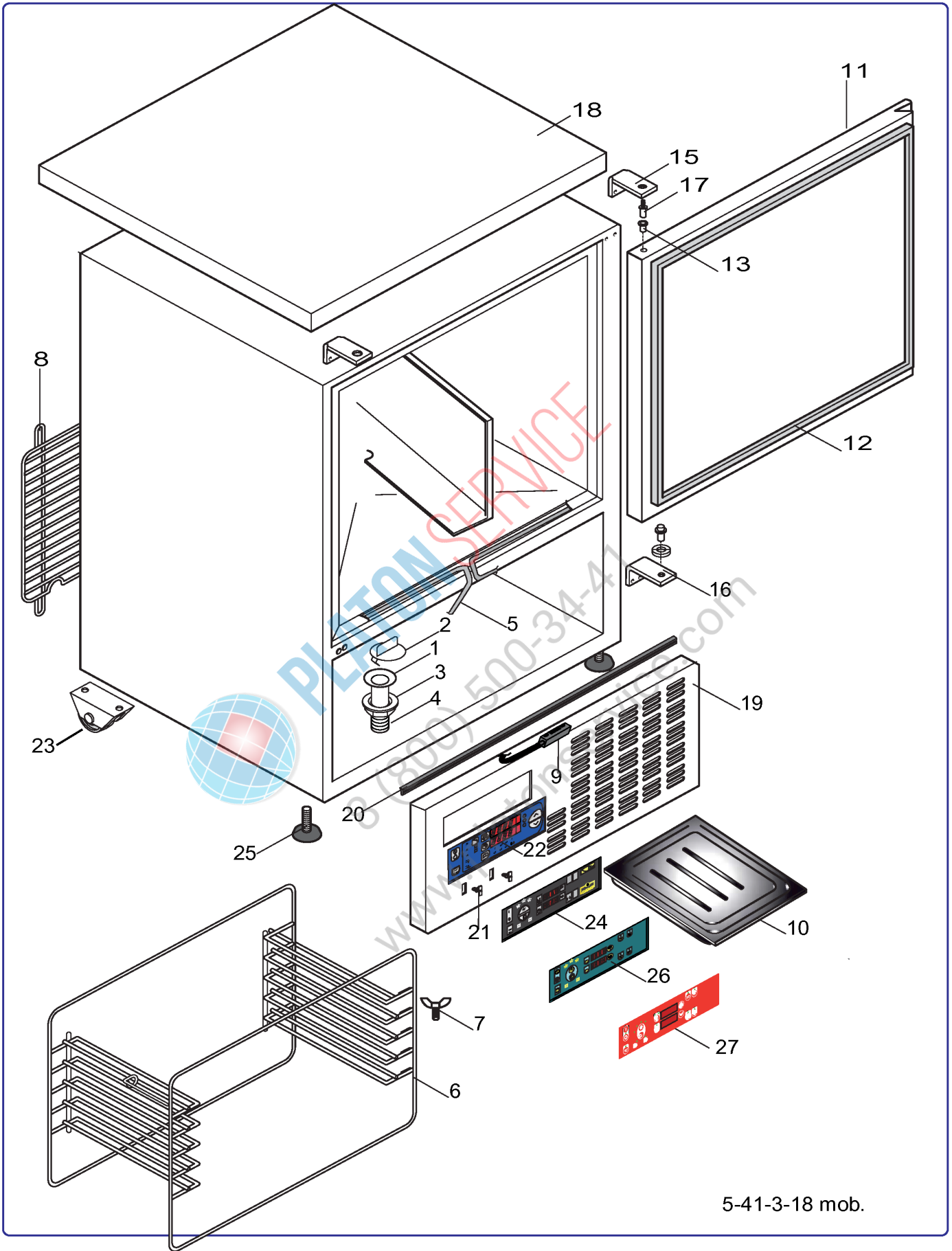
Marchio / Brand: Electrolux
Paese / Country: Tutti / All

unitil to ser.N°~0350700..

Ed. 05/201 LAST UP DATE 16 05 2013

Doc. Nr.: 541318

Crosswise 10kg GN 1/1



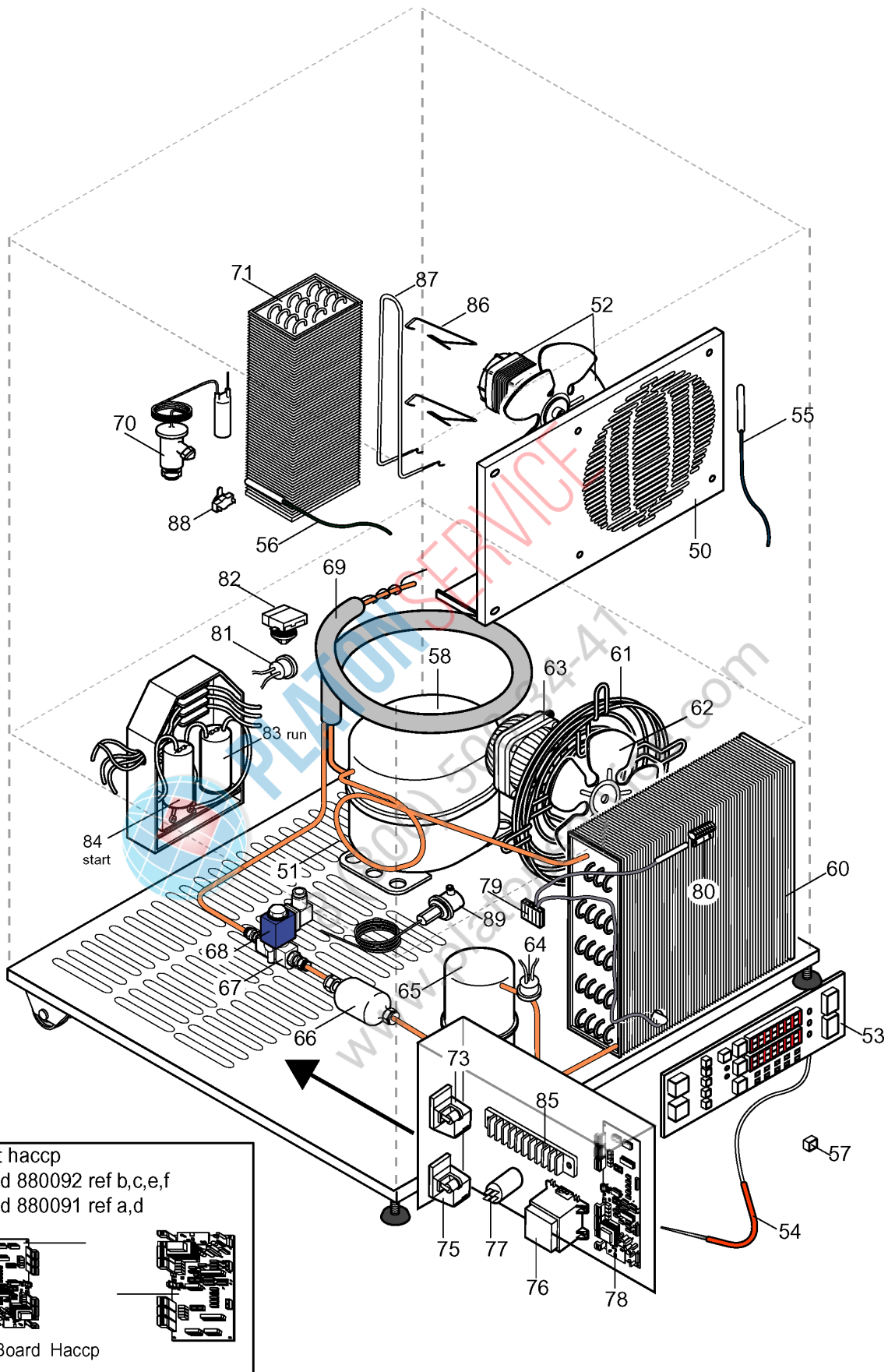
5-41-3-18 mob.

Da Ser. Nr. / From ser. nr.:
LAST UP DATE 04 05 2010

page:2

Doc. Nr.. **541318**

??????	726659									
??????	541318		???????? 2				Cabinet			
.		Alias		S			.			(Euro)
0001	083591							STRAINER WASTE		29,03
0002	083886							PLUG	a,b,c,d,e,f,h,i,l,m	9,98
0003	083592							LOCK NUT		7,12
0004	083593							RUBBER HOLDER		9,09
0005	088577							HEATING CABLE	a,b,c,i,m,n	17,69
0006	087757							FRAME	a,b,c,d,e,f,h,i,l,m,n	126,90
0007	090008	518713700		S				SCREW		3,37
0008	087957				D			BACK PANEL		35,02
0009	088578			S				MAGNETIC SWITCH CPL.		22,13
0010	087528							BASIN		28,52
0011	087529							DOOR		342,10
0012	083377			S				DOOR GASKET; 666X406 MM	a,b,c,d,e,f,h,i,l,m,n	18,56
0013	081807			S				BUSH		1,02
0015	087530							HINGE		22,94
0016	087531							BRACKET		20,26
0017	082757			S				PIN; Ø=5X17 MM		1,46
0018	088605							COVER		212,10
0019	088606				D			CONTROL PANEL	a,d - until to ser. n°716000..	
0019	088607							CONTROL PANEL	a,d,b,c,e,f,g,h,i,l,m,n	208,10
0020	088581		OL0113					TRIMMING	a,b,c,d,e,f,h,i,l,m - until to ser. N 433....	
0020	OL0113		OL3189	S				GASKET; 1PC=1100MM	g,a,b,c,d,e,f,h,i,l,m	
0021	053342			S				SPRING; FOR BRAND		1,02
0022	088582							MEMBRANE	a - until to 716000..	286,20
0022	091564		094227	S				ADHESIVE MEMBRANE; BLAST CHILL/FREEZER	a,n - from ser.716000.	
0023	087507							WHEEL		14,74
0025	085942			S	C			FOOT		1,97



??????	726659											
??????	541318		???????? 4						Coling unit			
.		Alias		S			.					(Euro)
0050	087968								PROTECTION			134,00
0051	091220								SPACER	a,b,c,m - from ser.N 627....		31,97
0052	087527		094338						COOLING FAN; 230V 50-60HZ 25W	a,b,c,d,e,f,h,i,l,m,n		
0053	088590								PCB	a,d - until to ser. n°71600...		324,80
0053	088591			S					USER INTERFACE BOARD; PREC20D	a,d,b,c,e,f,g,h,i,l,m,n - until to ser. n°01600...		185,70
0053	092700			S					USER INTERFACE BOARD	a,d,b,c,e,f,g,h,i,l,m,n - from ser. n°01700001		208,10
0055	092177			S					PROBE; 6X20; BLU; L=2000MM			18,89
0056	092180			S					PROBE; 6X40; GREEN; L=1500MM			19,99
0057	002670			S					EXTENSION; L=6,95MM			1,02
0058	084759		089914		D				COMPRESSOR; T2168GK- R404A 3/4HP	a,b,c,m - from ser.number 344..(aspera T2168 GK)		
0058	087280						VTX2012 -04		COMPRESSOR; GL90TG22; 230/50HZ 220/60HZ			159,40
0058	087368		099128						COMPRESSOR; MK18FB-R404 5/8HP	a,b,c - until to ser.number 344..(MK 18 FB)		
0058	091221				D;C		VTX2011 -08		COMPRESSOR; MX18FB 220-240V 50HZ	a,b,c,m - from ser.number 627..(MX18FB)		338,60
0060	088608								CONDENSER			213,20
0061	0A8843			S					PROTECTION	a,b,c,i,m		26,90
0062	0A8420			S					FAN BLADE	a,b,c,m		8,32
0063	087709								COOLING FAN	a,b,c,h,i,m,n		58,77
0064	088593								THERMOSTAT	a,b,c,i,m		56,33
0065	087758								CONTAINER	a,b,c,d,e,f,h,i,l,m,n		47,71
0066	0A9410			S					STRAINER			10,27
0067	0A9377								VALVE BODY	a,b,c,d,e,f,h,i,l,m,n		43,85
0068	085847			S	C				COIL; PARKER ZB15	a,b,c,d,e,f,h,i,l,m,n		24,72
0069	087513								EXCHANGER	a,b,c,m		116,70
0070	0A9508								THERM. EXPANSION VALVE	a,b,c,i,m,n - (orifizio N1 code 083016)		81,20
0071	087510			S					EVAPORATOR			197,90
0073	088267			S					RELAY; COIL 200-240VAC	a,b,c,d,e,f,h,i,l,m,n - (G7L 2a tub OMROM)		39,18
0075	056510			S					RELAY	a,b,c,d,e,f,h,i,l,m,n - (60.63.8.024 (BOBINA 24V)		26,80
0076	087662			S					TRANSFORMER			44,66
0077	084987			S					STRAINER	a,b,c,d,e,f,h,i,l,m,n		15,37
0078	093158			S		Kit	VTX2011 -07		PCB; KIT	param.map on web site		242,60
0079	088345		092188						PROBE			
0080	088602			S					PROTECTION			1,67
0081	087388								PROTECTOR	a,b,c,m		15,06
0081	091224				C				PROTECTOR	a,b,c,m - (for compressor MX 18 FB)		8,16
0082	083794				C				STARTING RELAY; GR. RVA3N3C-122	a,b,c,m - (for compres. aspera T2168)		39,99
0082	087386								RELAY	a,b,c, - (for compressor MK 18 FB)		30,55

??????	726659									
??????	541318		???????? 4				Coling unit			
.		Alias		S			.			(Euro)
0082	092508				C			RELAY; 9001,GE.3A	a,b,c,m - (for compressor MX 18 FB)	26,63
0083	083166			S	C	Kit		START CAPACITOR	a,b,c,m - (for compressor MX 18 FB)	22,11
0083	083449				C			CAPACITOR; 88-108MF 330V	a,b,c,m - (for compress. aspera T2168)	35,47
0083	0A9228				C			CONDENSER	a,b,c - (for compressor MK 18 FB)	31,05
0084	084323				C			CAPACITOR; 15MF	a,b,c,m - (for compress. aspera T2168)	22,11
0084	087387				D			CONDENSER	a,b,c - (for compressor MK 18 FB)	
0084	087387				D			CONDENSER	a,b,c,m - (for compress. MX18 FB)	
0085	082125							TERMINAL BOARD		18,68
0086	083781							SPRING	a,b,c,i,m,n	3,57
0087	087515							HEATING ELEMENT	a,b,c,i,m,n	143,10
0088	0A9671			S				SAFETY THERMOSTAT; +40/ +30°C	a,b,c,i,m,n	15,37



PLATON SERVICE
 8 (800) 500-34-41
 www.platonservice.com